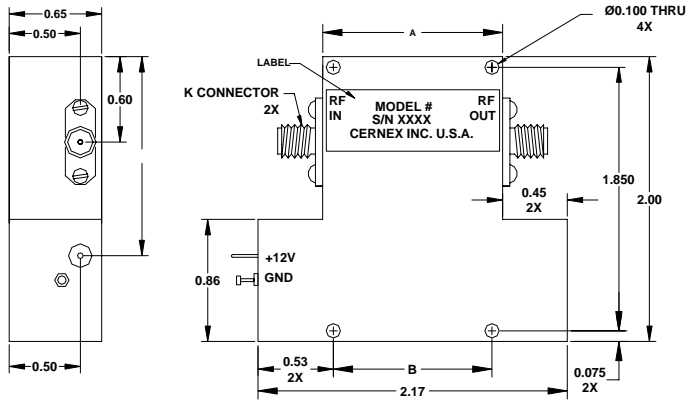


MKP Series with COAXIAL CONNECTORS



CASE TYPE	DIMENSIONS	
	A	B
MKP4	1.27	1.120
MKP5	1.49	1.345
MKP6	1.71	1.570
MKP7	1.93	1.790

MKP Series with WAVEGUIDE CONNECTORS

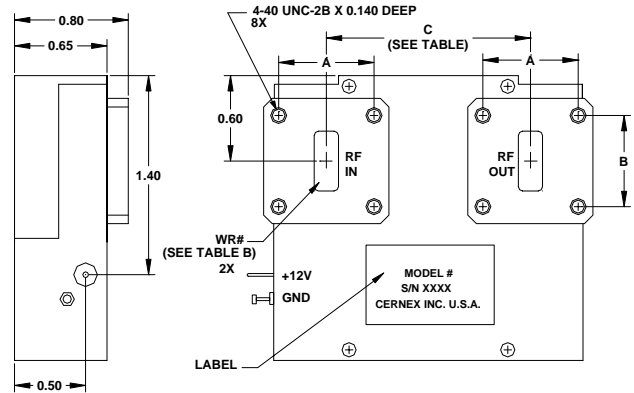
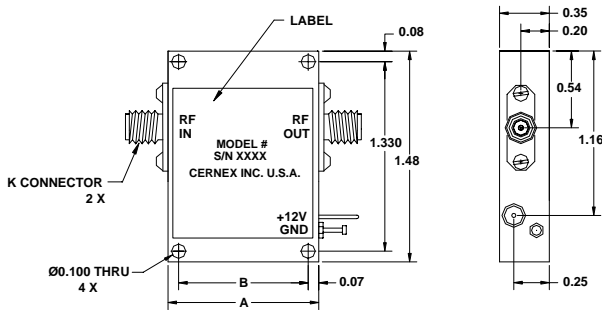


TABLE A	
	C
MKP4	1.4
MKP5	1.7
MKP6	1.9
MKP7	2.1

TABLE B		
WR#	A	B
WR42	.67	.64
WR32	.67	.64
WR28	.53	.50
WR22	.53	.50
WR19	.53	.50

MK Series with COAXIAL CONNECTORS



CASE TYPE	DIMENSIONS	
	A	B
MK3	1.05	0.900
MK4	1.27	1.120
MK5	1.49	1.350
MK6	1.71	1.570

MK Series with WAVEGUIDE CONNECTORS

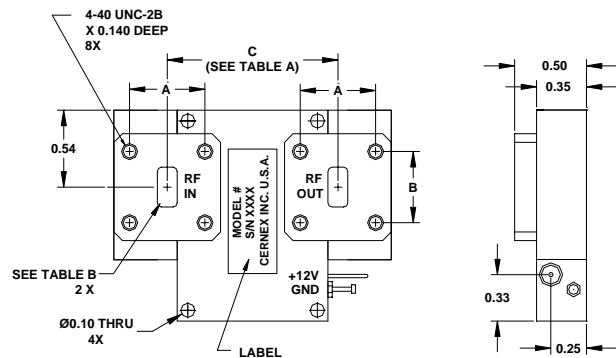


TABLE A	
	C
MKP3	1.2
MKP4	1.5
MKP5	1.7
MKP6	1.9

TABLE B		
WR#	A	B
WR42	.67	.64
WR32	.67	.64
WR28	.53	.50
WR22	.53	.50
WR19	.53	.50