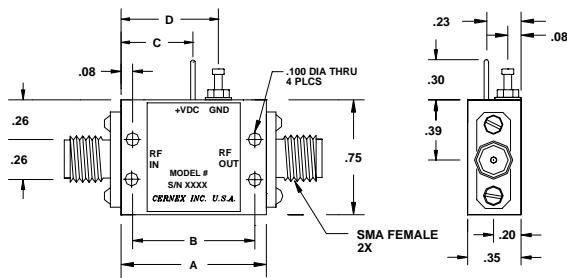
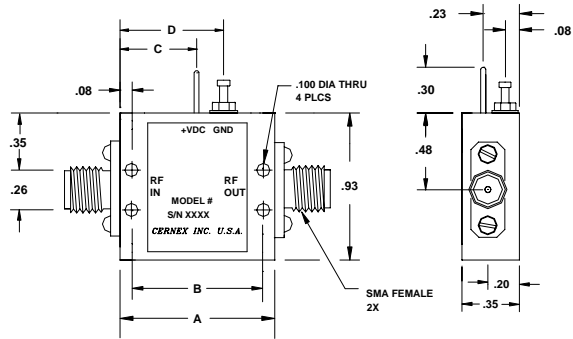


HN Series



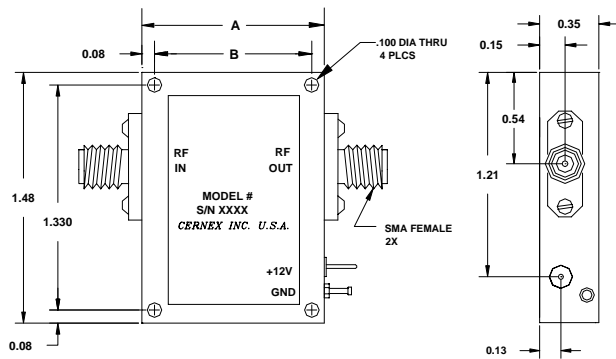
CASE TYPE	DIMENSIONS			
	A	B	C	D
HN1	.63	.48	NA	NA
HN2	.85	.70	.43	.66
HN3	1.08	.93	.65	.88
HN4	1.30	1.15	.65	.88
HN5	1.53	1.38	.65	.88
HN6	1.75	1.60	.88	1.10
HN7	1.98	1.83	.88	1.10
HN8	2.20	2.05	.88	1.10
HN9	2.42	2.27	1.10	1.33
HN10	2.64	2.49	1.10	1.33
HN11	2.86	2.72	1.32	1.54
HN12	3.09	2.94	1.32	1.54
HN13	3.32	3.17	1.54	1.77

LN Series



CASE TYPE	DIMENSIONS			
	A	B	C	D
LN2	.85	.70	.43	.66
LN3	1.08	.93	.65	.88
LN4	1.30	1.15	.65	.88
LN5	1.53	1.38	.65	.88
LN6	1.75	1.60	.88	1.10
LN7	1.98	1.83	.88	1.10
LN8	2.20	2.05	.88	1.10
LN9	2.43	2.27	1.10	1.33
LN10	2.65	2.49	1.10	1.33
LN11	2.87	2.72	1.32	1.54
LN12	3.09	2.94	1.32	1.54

MN Series with COXIAL CONNECTORS



CASE TYPE	DIMENSIONS	
	A	B
MN3	1.08	0.930
MN4	1.31	1.155
MN5	1.53	1.380
MN6	1.76	1.605
MN7	1.98	1.830
MN8	2.21	2.055

MN Series with WAVEGUIDE CONNECTORS

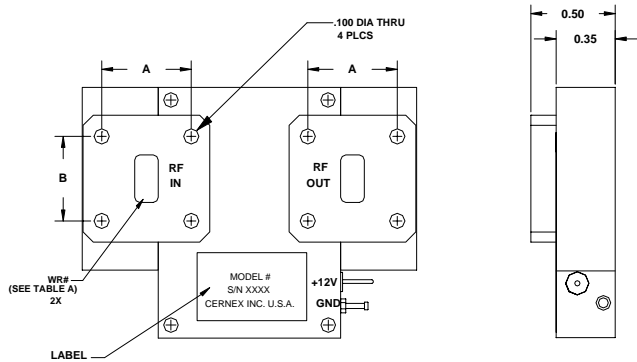


TABLE A

WR#	A	B
WR42	.67	.64
WR32	.67	.64
WR28	.53	.50
WR22	.53	.50
WR19	.53	.50