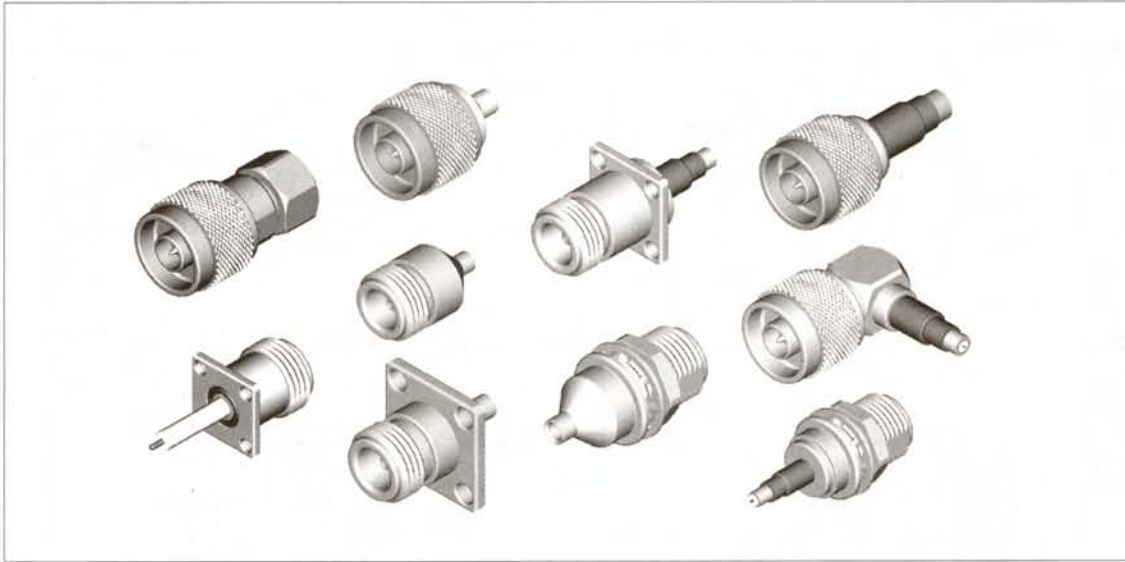


SERIES N RF COAXIAL CONNECTORS

These connectors are screw-type coupling and provide sturdy reliable connection. The N connectors are available for flexible, semi-rigid and corrugated cables as well as bulkhead and panel versions.



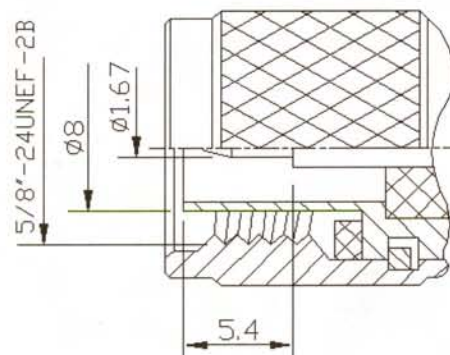
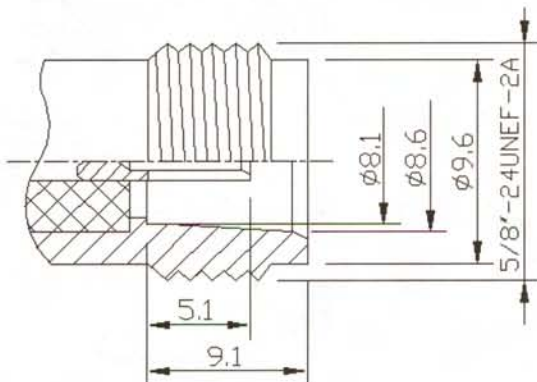
Key performance

- Characteristic Impedance : 50 Ω
- Frequency range : 0~11GHz
- Contact resistance :
 - Center conductor $\leq 1.5m\ \Omega$
 - Out conductor $\leq 0.2m\ \Omega$
- Insulation resistance : $\geq 5000M\ \Omega$
- Insulator voltage withstanding : 1500V
- VSWR : ≤ 1.30
- Connector durability : 500 cycles

Applicable spec/std : MIL-C-39012

Material

- Center contacts:
 - Male---brass, gold plated.
 - Female---phosphor bronze, gold plated
- Bodies and other metal parts:
 - brass, nickel plated
- Insulators: TFE
- Crimp ferrule: copper, nickel plated.
- Gasket and seal rings: silicone rubber
- Heat-shrink tubing: thermofit plastic.



N-JB2 N-JB3

Type	Cable code	L	D
N-JB2	B2	24	φ2.2
N-JB3	B3	24	φ3.6

N-KB2 N-KB3

Type	Cable code	L	D
N-KB2	B2	24	φ2.2
N-KB3	B3	29	φ3.6

N-KFB2 N-KFB3

Type	Cable code	L	D
N-KFB2	B2	24	φ2.2
N-KFB3	B3	27	φ3.6

mounting hole

N-KYB2 N-KYB3

Type	Cable code	L	D
N-KYB2	B2	24	φ2.2
N-KYB3	B3	30	φ3.6

mounting hole

N-J3A, N-J5A

Type	Cable code
N-J3A	3
N-J5A	5

N-JW3A N-JW5A N-JW8A

Type	Cable code
N-JW3A	3
N-JW5A	5
N-JW8A	8

N-KF3Y N-KF5Y

Type	Cable code
N-KF3Y	3
N-KF5Y	5

mounting hole

N-J3Y N-J5Y

Type	Cable code
N-J3Y	3
N-J5Y	5

N-JW3Y N-JW5Y

Type	Cable code
N-JW3Y	3
N-JW5Y	5

N-KY3Y N-KY5Y

Type	Cable code
N-KY3Y	3
N-KY5Y	5

mounting hole

N-J235 N-J234

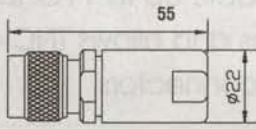
Type	Cable code
N-J235	7/8" Ripple cable
N-J234	5/8" Ripple cable

N-K235 N-K234

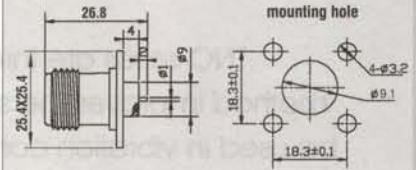
Type	Cable code
N-K235	7/8" Ripple cable
N-K234	5/8" Ripple cable

N-J8A N-J9B N-J9C

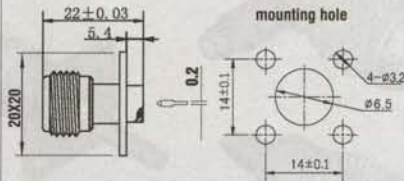
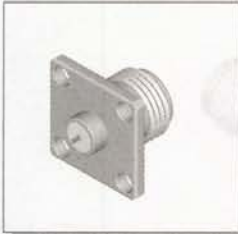
Type	Cable code
N-J8A	8
N-J9B	3/8" Ripple cable
N-J9C	3/8" Ripple cable



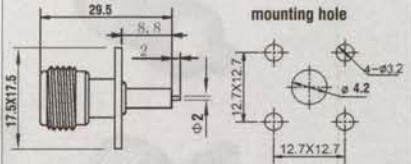
N-KFD



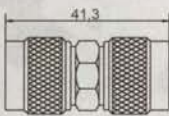
N-KFD1



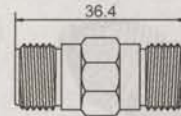
N-KFD2



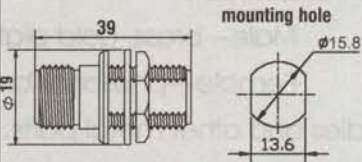
N-JJ



N-KK



N-KYK



N-KFK

