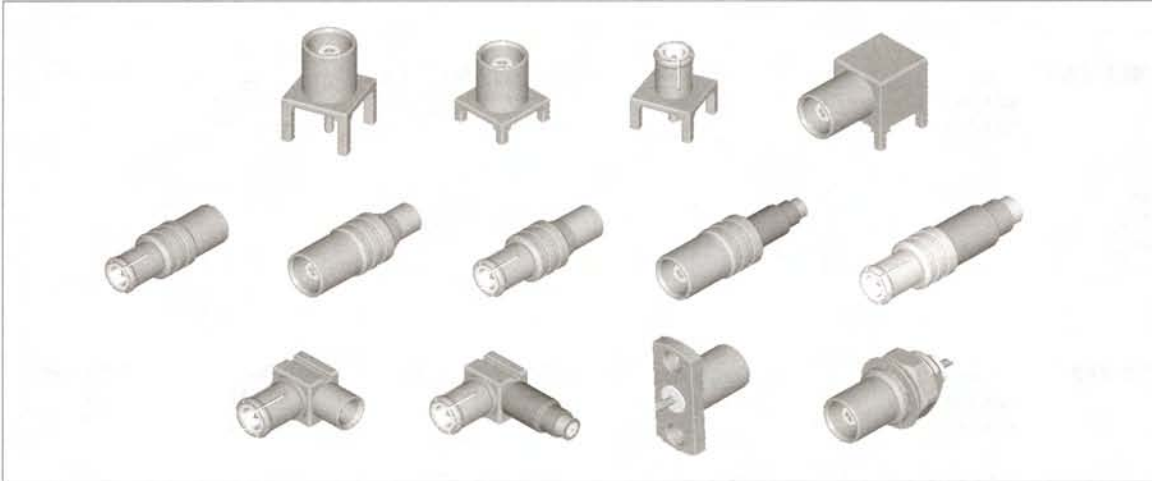


SERIES MCX

RF COAXIAL CONNECTORS

The size of the series MCX is small, mating is easy and the contact reliable. MCX series is recommend for use in tight areas where space is at a premium.



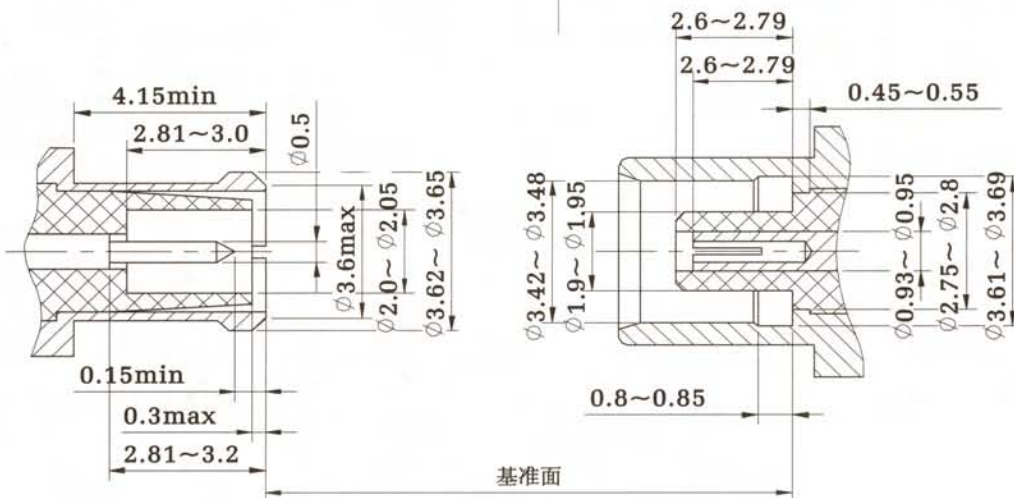
Key performance

- Characteristic impedance: 50 Ω
- Frequency range: 0~6GHz
- Contact resistance:
 - center conductor : ≤4.0m Ω
 - out conductor : ≤2.0m Ω
- Insulation resistance : ≥1000M Ω
- insulator voltage withstanding : 750V
- VSWR : ≤1.30
- Connector durability : 500

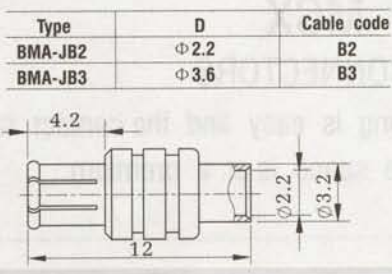
Applicable spec/std: IEC1169-36

Material

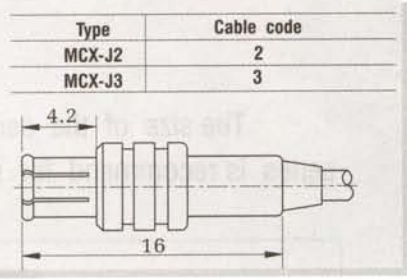
- Center contacts:
 - Male---brass, gold plated.
 - Female---beryllium copper, gold plated
- Bodies and other metal parts:
 - brass, gold plated
- Insulators: TFE
- Crimp ferrule: copper, nickel plated.
- Gasket and seal rings: silicone rubber
- Heat-shrink tubing: thermofit plastic.



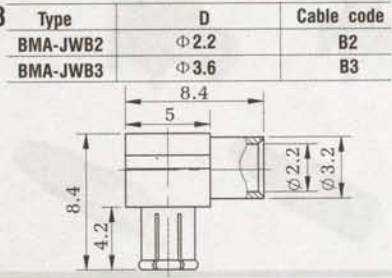
MCX-JB2,MCX-JB3



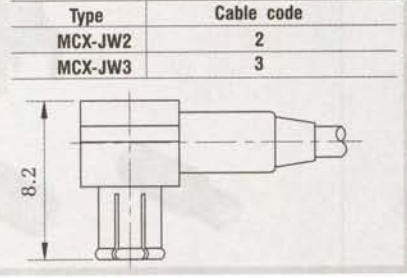
MCX-J2,MCX-J3



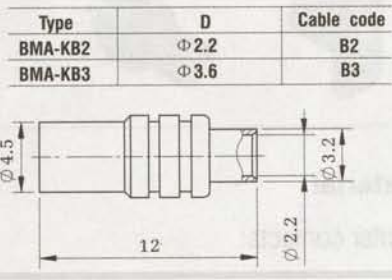
MCX-JWB2,MCX-JWB3



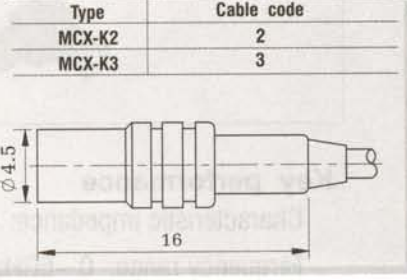
MCX-JW2,MCX-JW3



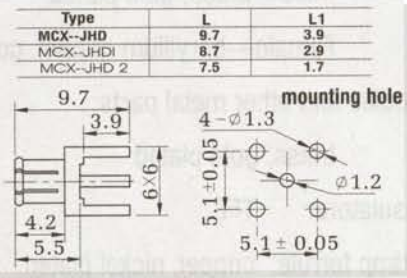
MCX-KB2,MCX-KB3



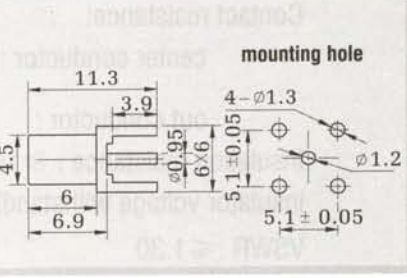
MCX-K2,MCX-K3



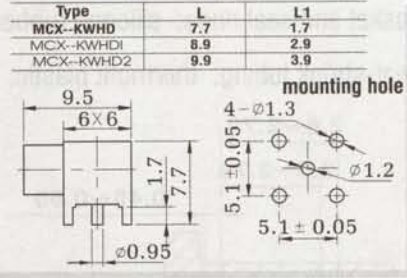
MCX-JHD



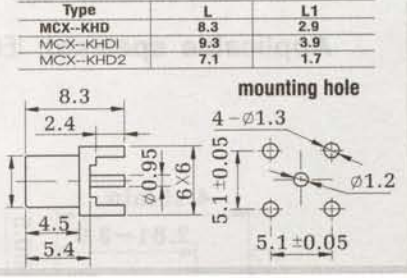
MCX-KHD3



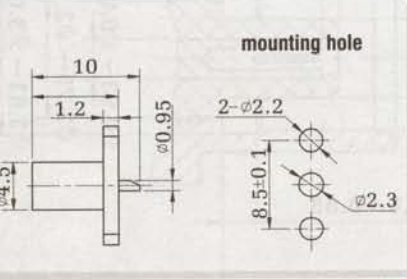
MCX-KWHD



MCX-KHD



MCX-KF



MCX-KY

